



KLM LIGHTING CO.,LTD

Hi Lumen, Bye Watts.

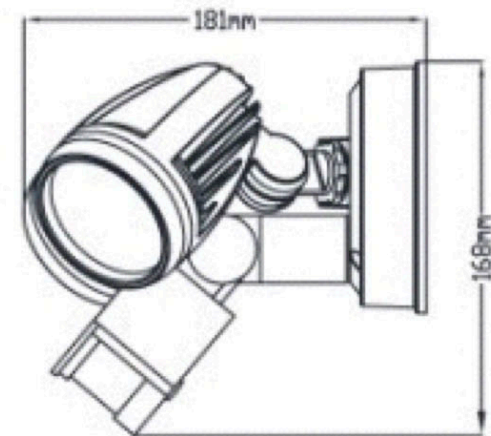
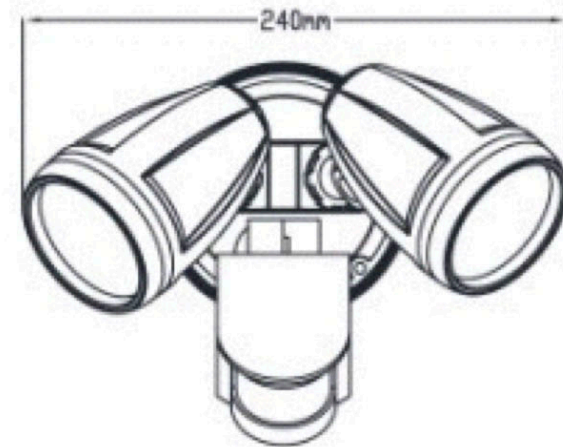


IP54 LED Security Light Sensor

KLM-WSP Series

SPECIFICATION

Power Option	1*7/9/11W; 2*7/9/11W
LEDs	CREE COB
Lumen	90LM/W
CCT	3000-6000K
CRI	>80
Voltage	AC85-265V
Beam angle	90Degree
Adjustable heads	180D coverage
Function	Sensor or No-Sensor
Material	Dia-casting Aluminum
Body color	Black or Sliver or White
IP Rate	IP54
Life Span	40,000hrs
Warranty	2Years





KLM-WSP-14/18/22W-S



KLM-WSP-14/18/22W



KLM-WSP-7/9/11W-S



KLM-WSP-7/9/11W

FEATURE

Power: **7/9/11/14/18/22W**

Long life energy saving LED

Single/Twin COB LED spot light

Easy to adjust illumination time-out

High quality aluminum frame acts as heat-sink

Modern, architectural outdoor landscape lighting

IP54 rating for outdoor environments

2Years Warranty



Understanding the controls

ADJUSTING THE DURATION TIME:

The length of time that remains switched on after activation can be adjusted from 5 seconds to 6 minutes. Rotating the TIME knob clockwise will reduce the duration time.

Note: once the light has been triggered by the PIR sensor any subsequent detection will start the timed period again from the beginning.

ADJUSTING THE LUX CONTROL LEVEL:

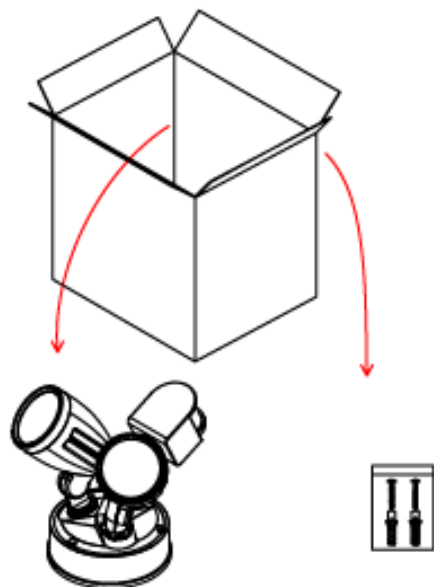
The Lux control module has a built-in sensing device (photocell) that detects daylight and darkness. Rotating the LUX knob clockwise is from light (☀️) to dark (🌙). The (☀️) position denotes that the floodlights will work at day and night, and the (🌙) position will only work at night. You can set the unit to operate at the desired level by adjusting the LUX knob.



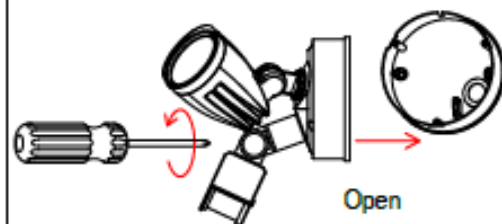
IP54 with PIR Senso

Installation

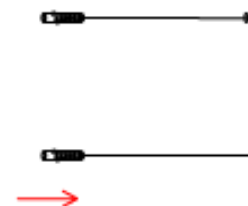
Step1 Take out wall lamp and accessory pack from box.



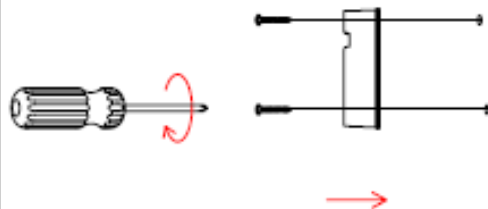
Step2 Unscrew bottom seat and take it apart from lamp body.



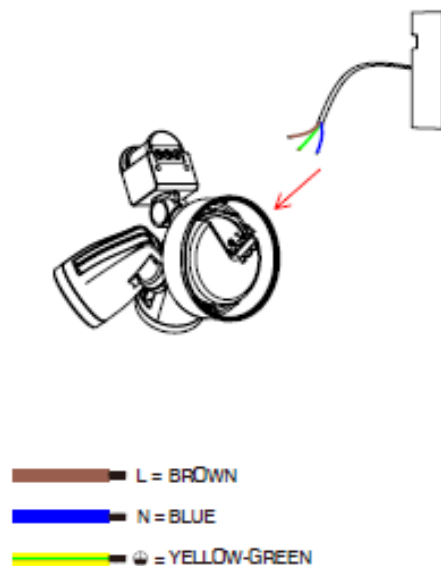
Step3 Knock-in the plastic anchor into ceiling according to hole site of bottom seat.



Step4 Fix bottom seat with screw into ceiling.



Step5 Wiring "L" "N" "G" to terminal block and fasten the cord grips to protect wire from dislocation.



Step6



Fasten wall lamp back to bottom base, then restore power and switch on for correct operation.

